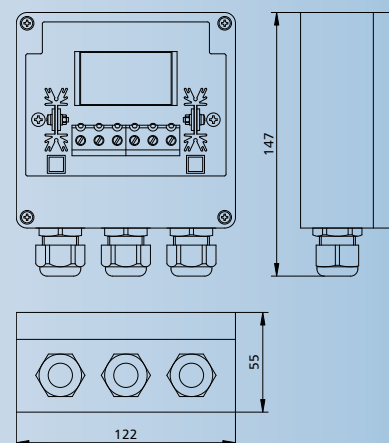




## Solar Charge Controller



# Steca PR 2020-IP

## IP 65 Version

The PR 2020-IP design is based on Steca's PR charge controller series with a customer designed LCD which shows the accurate state of charge (SOC) in percent and as battery gauge symbol. The heart of the controller is the integrated circuit called ATONIC® II, which contains the improved regulation software based on a self learning algorithm. The PR 2020-IP controller operates in harsh environments like salt, moisture and dust.

### Certificates

- conform to European Standards (CE)
- Made in Germany

### Features

- PWM shunt battery charging
- state of charge (SOC) battery regulation
- built in Ah counter
- boost charging
- equalising charge
- float charging
- automatic load reconnection
- automatic selection of voltage (12 V / 24 V)
- temperature compensation
- positive grounding
- (or) negative grounding on one terminal
- field adjustable parameters by two buttons
- lighting control options during nighttime
- optional potential free alarm contact

### Electronic Protections

- high voltage disconnect (HVD)
- low voltage disconnect (LVD)
- dept of discharge disconnection (DOD)
- reverse polarity of solar modules
- reverse polarity of load & battery
- short circuit of solar modules
- short circuit of load
- over temperature
- over voltage
- lightning protection by varistor
- low electronic interference (EMC)
- open circuit battery
- reverse current at night

### Displays

- Steca designed LCD in symbols and digits showing SOC, Vbat, all currents, Ah, alarms, day / night and more



Solar Charge Controller	PR 2020-IP
system voltage	12 V / (24 V)
max. module input short circuit current	20 A
max. load output current	20 A
max. self consumption	12 mA
end of charge voltage (float)	liquid 13.9 V / (27.8 V) gel 14.1 V (28.2 V)
boost charge voltage	14.4 V / (28.8 V) 2:00 h
equalisation charge (deactivated for gel accu)	14.7 V / (29.4 V) 2:00 h
reconnection setpoint (SOC / LVR)	> 50 % SOC / 12.6 V (25.2 V)
deep discharge protection (SOC / LVD)	< 30 % SOC / 11.1 V (22.2 V)
ambient temperature allowed	-10 °C...+50 °C
terminal size (fine / single wire)	16 mm <sup>2</sup> / 25 mm <sup>2</sup>
enclosure protection class	IP 65
weight	350 g
dimensions l x w x h	122 x 55 x 147 mm

Technical data at 25 °C / 77 °F